

1

2

3

4

5

6

RevNo

Revision note

Date

Signature

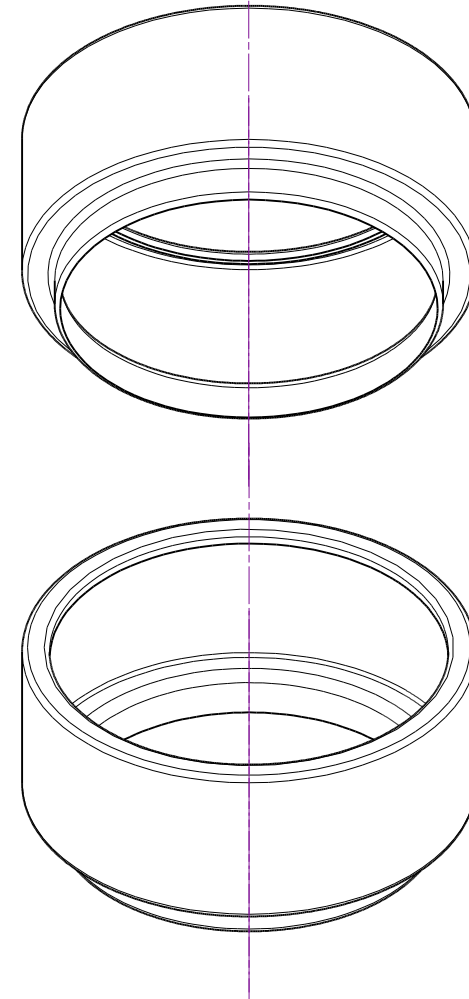
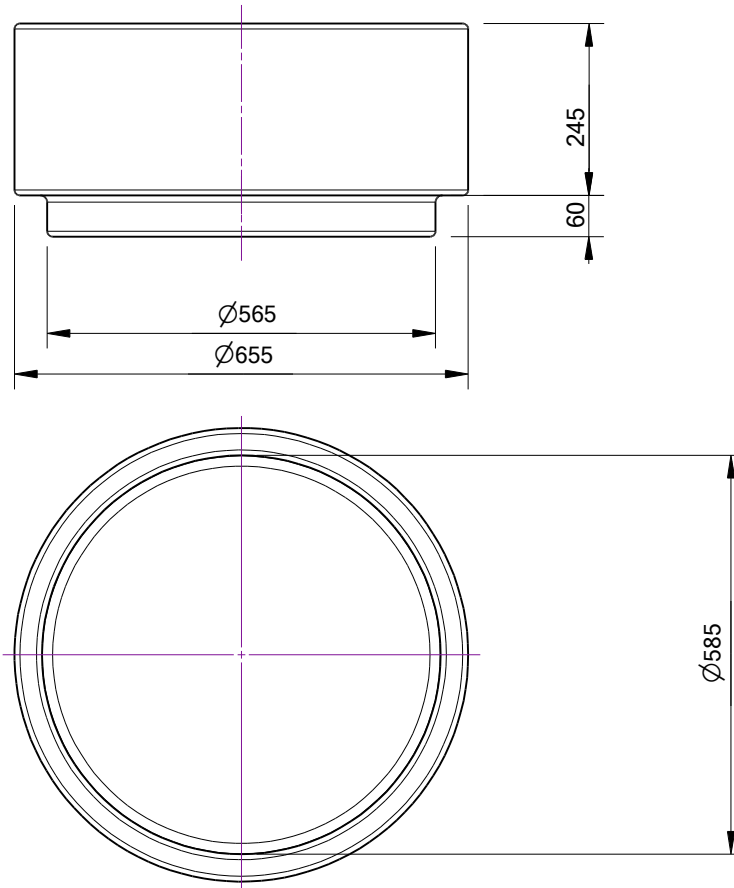
Checked

A

B

C

D



A

B

C

D

Itemref	Quantity	Title/Name, designation, material, dimension etc		PE 5,2kg	Article No./Reference	
Drawn by Ing. Jan Burian		Checked by	Approved by - date	File name	Date 16.03.2021	Scale 1:1
Nástavec 250				ABPLAST s.r.o. Pohodlí		
				Edition	Sheet 1 OF 1	

1

2

3

4

5

6