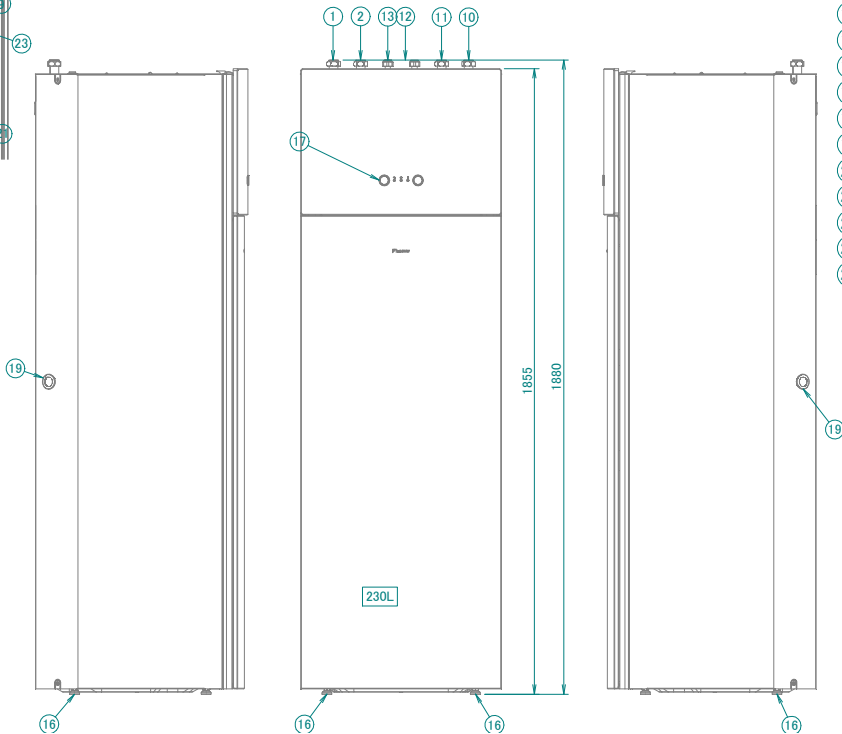
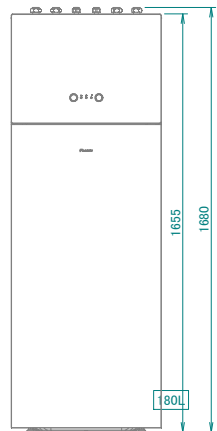
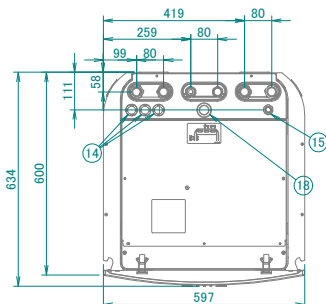
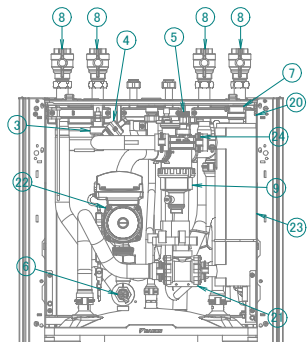


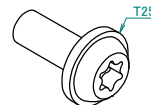
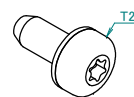
ETVH16E6V7
 ETVH16E9W7
 ETVX16E6V7
 ETVX16E9W7



- ① Water out connection -1".
- ② Water in connection -1".
- ③ Flow switch
- ④ Space heating water pressure sensor
- ⑤ Safety valve
- ⑥ Drain valve water circuit
- ⑦ Air purge
- ⑧ Shut-off valve
- ⑨ Magnetic filter / dirt separator
- ⑩ Water in connection -1" F BSP.
- ⑪ Water out connection -1" F BSP.
- ⑫ Domestic hot water: cold water in -3/4" F BSP.
- ⑬ Domestic hot water: hot water out -3/4" F BSP.
- ⑭ High voltage wiring intake -Ø 24mm-
- ⑮ Low voltage wiring intake -Ø 15mm-
- ⑯ Levelling feet
- ⑰ User interface
- ⑱ Recirculation connection -G 3/4". (female)
- ⑲ Drain outlet (unit + safety valve)
- ⑳ Expansion vessel
- ㉑ 3-way valve
- ㉒ Pump
- ㉓ Backup heater
- ㉔ Flow sensor

To outdoor unit

Screws used in this unit:



3D121002B