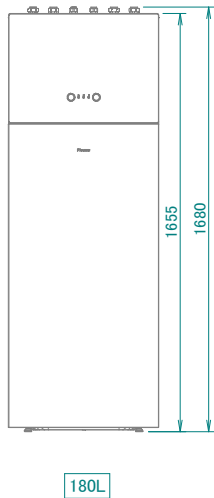
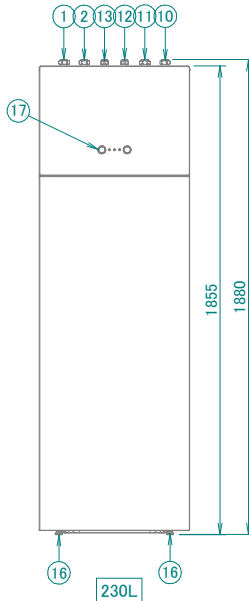
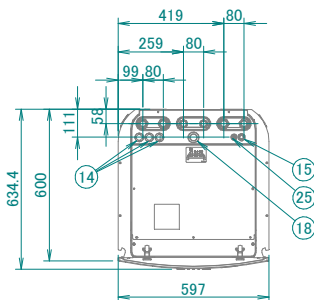
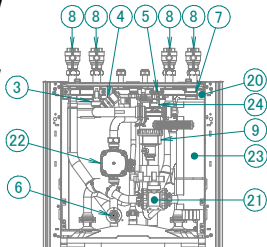


ETVH12E6V
 ETVH12E9W
 ETVX12E6V
 ETVX12E9W



- ① Water out connection ·1" To outdoor unit
- ② Water in connection ·1"
- ③ Flow switch
- ④ Space heating water pressure sensor
- ⑤ Safety valve
- ⑥ Drain valve water circuit
- ⑦ Air purge
- ⑧ Shut-off valve
- ⑨ Magnetic filter / dirt separator
- ⑩ Water in connection ·1" F BSP.
- ⑪ Water out connection ·1" F BSP.
- ⑫ Domestic hot water: cold water in ·3/4" F BSP.
- ⑬ Domestic hot water: hot water out ·3/4" F BSP.
- ⑭ High voltage wiring intake ·Ø 24mm
- ⑮ Low voltage wiring intake ·Ø 15mm
- ⑯ Levelling feet
- ⑰ User interface
- ⑱ Recirculation connection ·G 3/4" (female)
- ⑲ Drain outlet (unit + safety valve)
- ⑳ Expansion vessel
- ㉑ 3-way valve
- ㉒ Pump
- ㉓ Backup heater
- ㉔ Flow sensor
- ㉕ Low voltage wiring intake (options)

Screws used in this unit:

