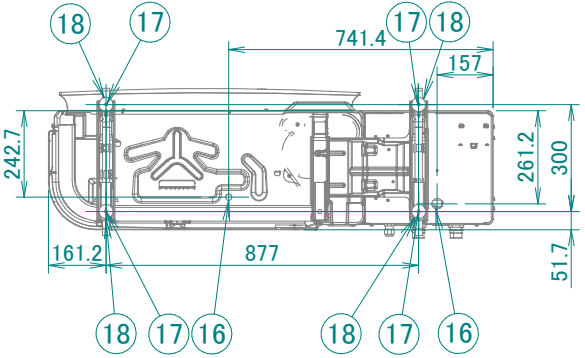
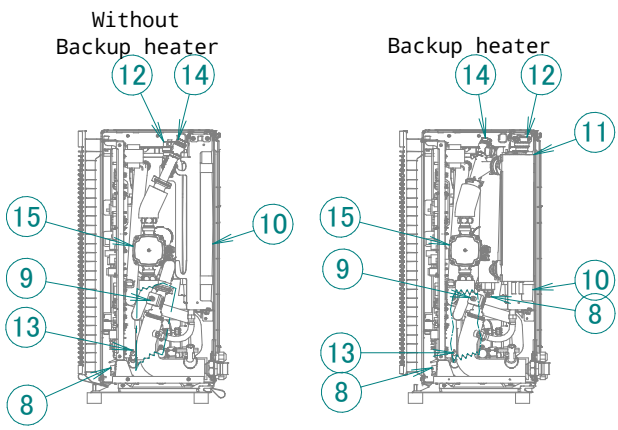
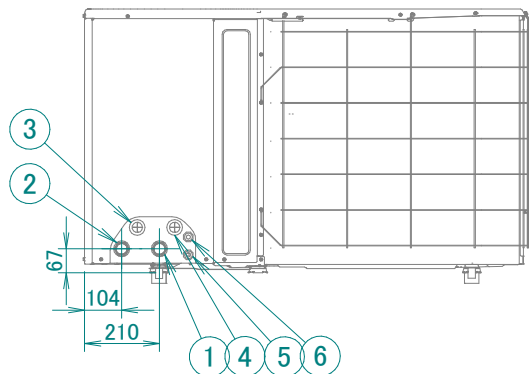
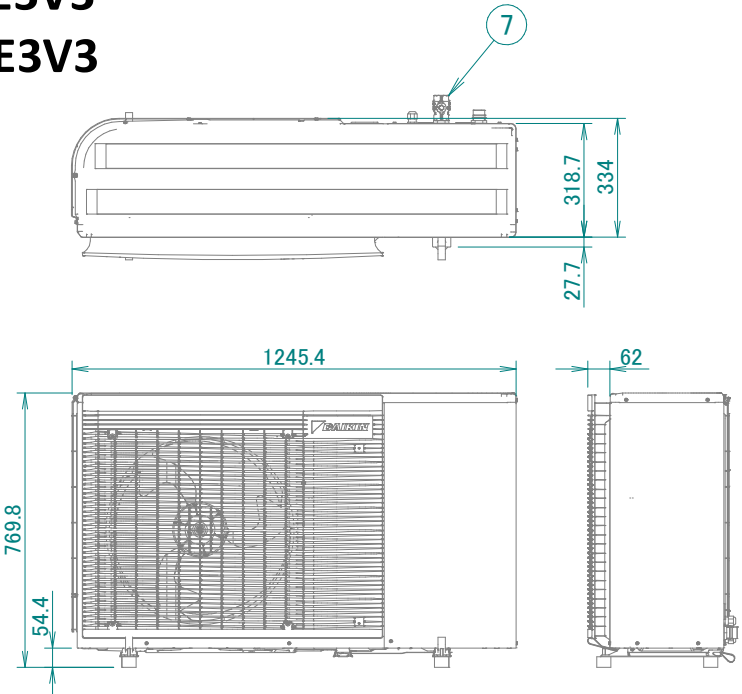


EBLA04-08EV3

EDLA04-08EV3

EBLA04-08E3V3

EDLA04-08E3V3



- ① Water in connection ·1"·M·
- ② Water out connection ·1"·M·
- ③ Wiring intake (low voltage wiring)
- ④ Wiring intake (high voltage wiring)
- ⑤ Wiring intake (power supply)
- ⑥ Backup heater power supply
- ⑦ Shut-off valve / filter (included accessory)
- ⑧ Drain valve water circuit
- ⑨ Flow sensor
- ⑩ Expansion vessel
- ⑪ Backup heater
- ⑫ Automatic air purge valve
- ⑬ Space heating water pressure sensor
- ⑭ Safety valve
- ⑮ Pump
- ⑯ Drain outlet
- ⑰ 4 holes for anchor bolts
- ⑱ Mounting foot