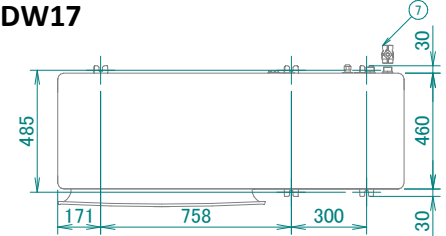
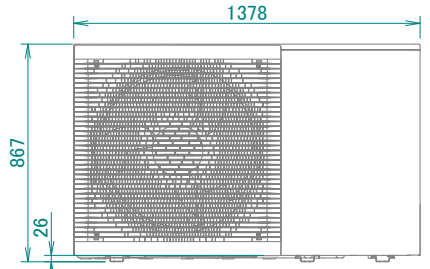


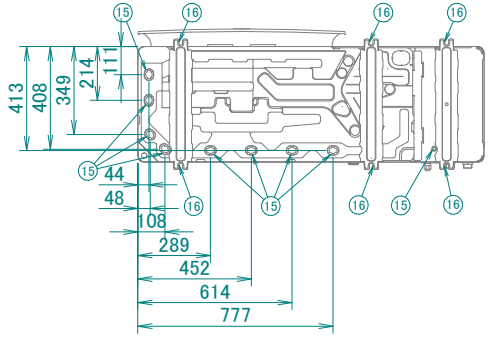
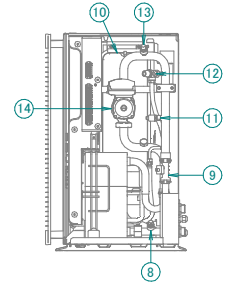
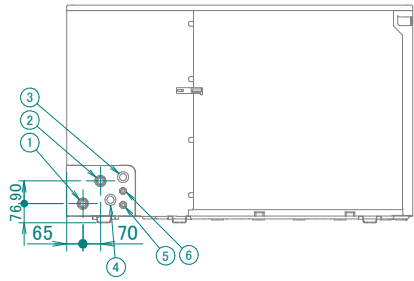
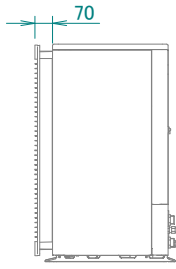
EBLA09-14DV3 / EBLA09-14DW1 / EDLA09-14DV3 / EDLA09-14DW1 / EBLA-DV37 / EBLA-DW17 / EDLA-DV37 / EDLA-DW17



- ① Water in connection ·1"·
- ② Water out connection ·1"·
- ③ Wiring intake (low voltage wiring)
- ④ Wiring intake (high voltage wiring)
- ⑤ Wiring intake (power supply)
- ⑥ Backup heater power supply
- ⑦ Shut-off valve / filter (included accessory)



Total volume = ·0.598· m³



- ⑧ Drain valve water circuit
- ⑨ Flow sensor
- ⑩ Expansion vessel
- ⑪ Space heating water pressure sensor
- ⑫ Safety valve
- ⑬ Manual air purge valve
- ⑭ Pump
- ⑮ Drain outlet
- ⑯ ·6· holes for anchor bolts